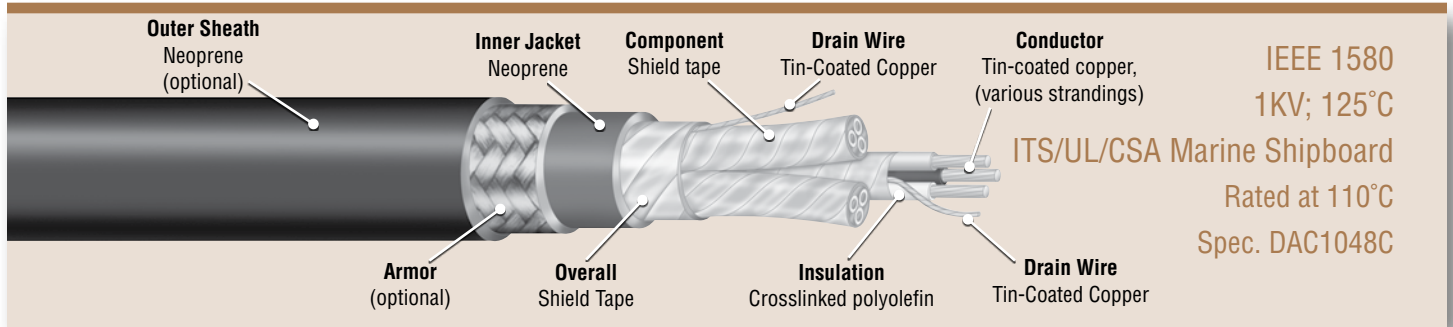




# Exane® 125 Type P

Multi-Shielded Triads with Overall Foil Shield  
Armored & Unarmored (Offshore & Land Rigs)



## Features

- Thermoset insulation
- Heat, sunlight, & moisture resistant
- Extremely flame retardant
- Easy to install
- Easy to strip – has no separator tape
- Extremely flexible
- Flexible Tin-coated conductors for improved terminations and corrosion resistance
- Pigmented insulation with vivid colors
- Passes minus 55°C cold bend
- Passes minus 40°C cold impact
- EMI interference protection

## Performance Standards

- IEEE 45/1580 Type P
- UL 1309 X110 Marine Shipboard Cable
- CSA C22.2 No. 245 X110 Marine Shipboard
- Intertek Testing Service (ETL) certified as Type P
- Passes IEEE 1202 & FT-4, 70,000 Btu/hr Vertical Tray Flame Tests
- Passes the IEC 60332-3-22 Category A/F Flame Test
- Type Approved by ABS, DNV GL and Lloyd's Register NA
- Armored & Sheathed cables are suitable for use in Class 1, Division 1 and Zone 1 hazardous locations
- Unarmored cables are suitable for use in Class 1, Division 2 and Zone 2 hazardous locations

## Construction

**Conductor:** Flexible, soft annealed tinned copper per ASTM B33 & IEEE 1580

**Insulation:** Irradiation cross-linked Polyolefin, Exane® 125°C

**Color Code:** As specified by customer

**Fillers:** When required, flame retardant and non-hygroscopic

**Binder Tape:** Non-hygroscopic and non-wicking

**Foil Shields:** Aluminum/Polyester foil tape + tinned copper drain wire

**Inner Jacket:** Black, Heavy Duty, Arctic Grade Neoprene. Sunlight resistant

**Armor (optional):** Bronze Braid – Standard. Tinned Copper Braid – Optional

**Outer Jacket (optional):** Black, Heavy Duty, Arctic Grade Neoprene. Sunlight resistant

**Temperature Rating:** RSCC Wire & Cable rated 125°C, UL/CSA 110°C, IEEE 100°C

## Scope

Exane® 125 Type P multi-shielded triads with overall foil shield, Marine Shipboard Cables, armored and unarmored, rated 1KV are an extremely tough construction ideally suited for use in rugged marine/oil rig applications. The Exane insulation is radiation cross-linked and provides outstanding physical properties, resistance to abrasion, cut-through, low and high temperatures, petrochemical fluids, sunlight, flame, and moisture. Exane® 125 Type P is extremely tough and durable and withstands the arduous environmental conditions experienced in offshore mobile drilling units (MODU), FPSO's, TLP's and land rigs for oil and gas drilling rigs. Exane® 125 Type P's 125°C temperature rating for short durations lends itself to handle higher ampacity levels and higher safety margins in the field. It's extremely flexible design and tightly controlled dimensions lead to benefits regarding lower weight, tray fill, ease of installation and long service life in drag chains.



Marmon Engineered Wire & Cable LLC  
A Berkshire Hathaway Company