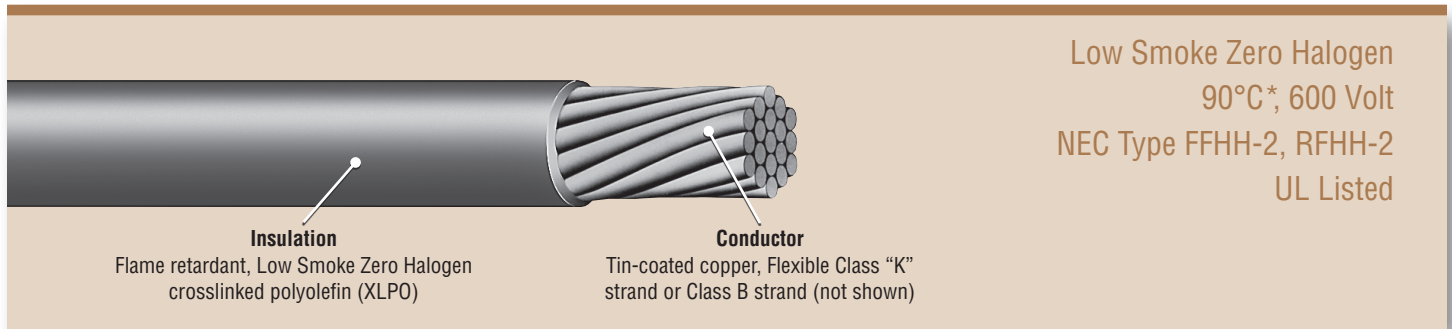


Rock-Tuff® ZHXF Fixture Wire

Industrial Power Cable

RSCC Industrial Cable
www.r-scc.com



Low Smoke Zero Halogen
90°C*, 600 Volt
NEC Type FFHH-2, RFHH-2
UL Listed

Features

- Low Smoke Zero Halogen design
- RoHS compliant insulation
- Thermoset insulation for enhanced thermal stability
- Specially formulated insulation for superior long term water resistance
- Superior flame retardance
- Excellent mechanical properties
- Tin-coated copper conductors for improved terminations and corrosion resistance
- Reduced size and weight for increased raceway capacity
- Easy strippability
- Low friction surface for reduced pulling tension

Scope

Rock-Tuff® ZHXF Fixture Wire is a one conductor, unjacketed, wire. Its tough thermoset construction allows for its use in demanding applications without additional jacketing protection.

Performance Standards

- Insulation in accordance with ICEA, UL, and CSA standards
- UL listed type RFHH-2 90C (UL 66) in accordance with NEC for #16 and #18 AWG with class B conductor
- UL listed type FFHH-2 90C (UL 66) in accordance with NEC for #16 and #18 AWG with class K conductor
- Passes IEEE 1202/FT4 vertical tray flame test and ICEA 70,000 BTU/hr vertical tray flame test (T-30-520)
- Passes vertical flame test Type A as defined in ICEA S-95-658-1999 sec. 6.8.2
- Passes UL and cUL Type ST1 (limited smoke) per UL 1685 and UL 2556
- Passes -40°C cold impact test
- UL approved 90°C for dry and damp locations

Construction

Conductor: Annealed, tin-coated copper, Flexible Class "K" strand per ASTM B-174, B172, and B-33 or Class B per ASTM B-33 and B-8

Insulation: Flame retardant low Smoke Zero Halogen crosslinked polyolefin

Separator tape: Helically applied polyester (where required)

Color: Black (Also available in pigmented colors or colored stripes)

*Rated 90°C for normal operation in wet and dry locations, 130°C for emergency overload conditions, and 250°C for short circuit conditions.

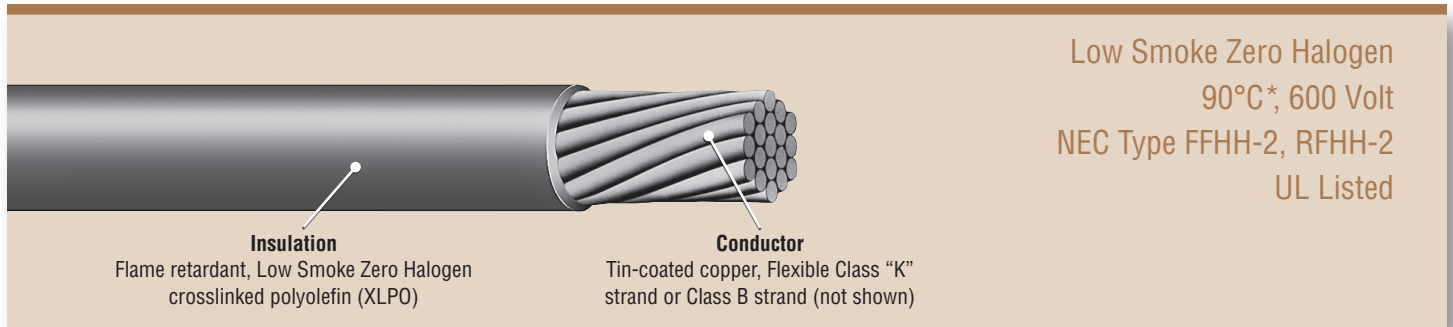


Made in the USA



Marmon Electrical
A Berkshire Hathaway Company

Rock-Tuff® ZHXF Fixture Wire Industrial Power Cable



Low Smoke Zero Halogen
90°C*, 600 Volt
NEC Type FFHH-2, RFHH-2
UL Listed

Type FFHH-2 (Class K)

Product Code	Conductor Size	Number of Strands	Conductor OD		Insulation Thickness		Nominal Overall Diameter		Approximate Net Weight (Lbs/M')	Ampacity*
			(Inch)	(mm)	(Inch)	(mm)	(Inch)	(mm)		
RTZHXF-18-600V-K	18 AWG	16	0.046	1.17	0.030	0.76	0.108	2.74	10	6
RTZHXF-16-600V-K	16 AWG	26	0.054	1.37	0.030	0.76	0.116	2.95	13	8

* Ampacities are based on NEC NFPA 70 -2020 Table 402.5 at 30°C Ambient in Free Air.

Type RFHH-2 (Class B)

Product Code	Conductor Size	Number of Strands	Conductor OD		Insulation Thickness		Nominal Overall Diameter		Approximate Net Weight (Lbs/M')	Ampacity*
			(Inch)	(mm)	(Inch)	(mm)	(Inch)	(mm)		
RTZHXF-18-600V-B	18 AWG	7	0.046	1.17	0.030	0.76	0.108	2.74	10	6
RTZHXF-16-600V-B	16 AWG	7	0.056	1.42	0.030	0.76	0.118	2.99	13	8

* Ampacities are based on NEC NFPA 70 -2020 Table 402.5 at 30°C Ambient in Free Air.



Made in the USA



Marmon Electrical
A Berkshire Hathaway Company