

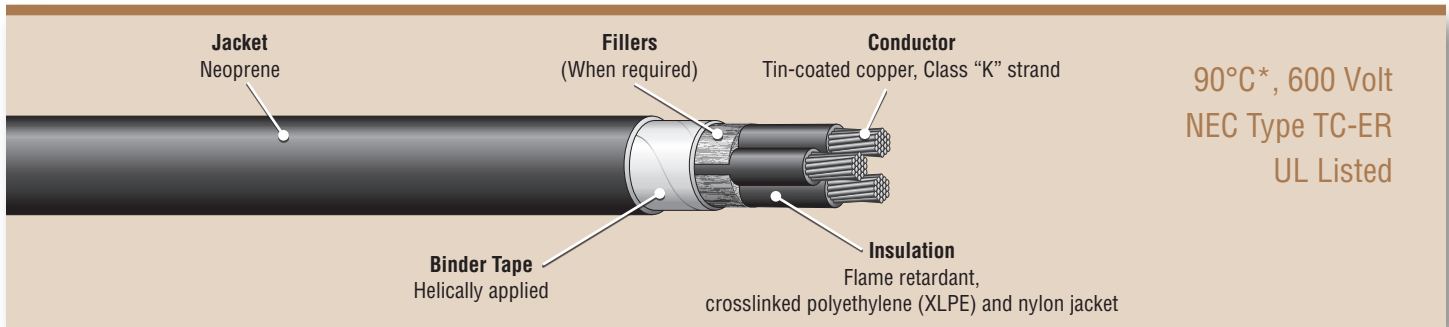
# Rock-Flex®

## Flexible Industrial Power & Control Cable

(XLPE-Nylon/Neoprene)

RSCC Industrial Cable

www.r-scc.com



### Features

- Thermoset insulation and jacket for enhanced thermal stability
- Superior flexibility and extended flex life
- Tin-coated copper conductors for improved terminations and corrosion resistance
- All jackets have printed sequential footage markers for improved inventory control
- Easy strippability for installation use
- Oil resistant jacket
- Sunlight/weather resistant
- RoHS compliant

### Scope

Rock-Flex® cables are designed with filler placement, cable lay lengths and other construction details optimized for small bend diameters and long flex life. Rock-Flex cables can be used on festooned applications, pendant drops, overhead bridge cranes, motor or spring driven reels or other industrial applications that requires flexibility.

### Performance Standards

- Insulation in accordance with ICEA standard S-66-524 and UL 44 for type XHHW-2
- Jackets in accordance with ICEA standard S-19-81 for neoprene
- Cable passes IEEE 1202/FT4 Flame Test
- Single conductors pass the vertical flame tests per ICEA S-19-81 Section 6.19.6 and UL VW-1
- UL Listed Type TC-ER for cable tray installations (UL 1277)
- CSA C22.2 No. 239 Type CIC
- MSHA Approved

### Construction

**Conductor:** Annealed, tin-coated copper, Class "K" strand (ASTM B-8, B-33 & B-174)

**Insulation:** Heat and moisture resistant, flame retardant crosslinked polyethylene

**Insulation Jacket:** Nylon jacket provides lubricity

**Circuit Identification:** ICEA Table E2, Method 1

**Fillers:** Flame retardant polypropylene, as required

**Binder Tape:** Helically applied

**Jacket:** Black Neoprene

\* Rated 90°C for normal operation in wet and dry locations, 130°C for emergency overload conditions, and 250°C for short circuit conditions.



Made in the USA



Marmon Electrical  
A Berkshire Hathaway Company

# Rock-Flex® Flexible Industrial Power & Control Cable

(XLPE-Nylon/Neoprene)

Part Number	Conductor Size (AWG)	Stranding Number / Size	Insulation Thickness XLPE / Nylon (inches)	Jacket Thickness (inches)	Nominal Overall Diameter (inches)	Nominal Weight (lbs/1000ft)
RFLX-10-4	10	105/.010	.020 / .005	0.045	0.500	237
RFLX-10-7	10	105/.010	.020 / .005	0.060	0.680	351
RFLX-12-3	12	65/.010	.015 / .005	0.045	0.380	124
RFLX-12-4	12	65/.010	.015 / .005	0.045	0.410	155
RFLX-12-5	12	65/.010	.015 / .005	0.045	0.450	190
RFLX-12-6	12	65/.010	.015 / .005	0.045	0.490	205
RFLX-12-8	12	65/.010	.015 / .005	0.060	0.610	290
RFLX-12-10	12	65/.010	.015 / .005	0.060	0.650	339
RFLX-12-12	12	65/.010	.015 / .005	0.060	0.670	392
RFLX-12-16	12	65/.010	.015 / .005	0.060	0.740	500
RFLX-12-20	12	65/.010	.015 / .005	0.060	0.820	616
RFLX-12-24	12	65/.010	.015 / .005	0.080	0.950	764
RFLX-12-30	12	65/.010	.015 / .005	0.080	1.000	927
RFLX-12-37	12	65/.010	.015 / .005	0.080	1.130	1131
RFLX-14-3	14	41/.010	.015 / .005	0.045	0.340	91
RFLX-14-4	14	41/.010	.015 / .005	0.045	0.370	113
RFLX-14-5	14	41/.010	.015 / .005	0.045	0.410	138
RFLX-14-6	14	41/.010	.015 / .005	0.045	0.440	148
RFLX-14-8	14	41/.010	.015 / .005	0.045	0.510	194
RFLX-14-12	14	41/.010	.015 / .005	0.060	0.600	280
RFLX-14-16	14	41/.010	.015 / .005	0.060	0.660	354
RFLX-14-20	14	41/.010	.015 / .005	0.060	0.730	433
RFLX-14-24	14	41/.010	.015 / .005	0.060	0.800	506
RFLX-14-30	14	41/.010	.015 / .005	0.080	0.900	654
RFLX-14-37	14	41/.010	.015 / .005	0.080	1.000	795
RFLX-16-3	16	26/.010	.015 / .005	0.045	0.310	70
RFLX-16-4	16	26/.010	.015 / .005	0.045	0.340	109
RFLX-16-6	16	26/.010	.015 / .005	0.045	0.400	109
RFLX-16-7	16	26/.010	.015 / .005	0.045	0.430	125
RFLX-16-8	16	26/.010	.015 / .005	0.045	0.460	142
RFLX-16-10	16	26/.010	.015 / .005	0.045	0.490	163
RFLX-16-12	16	26/.010	.015 / .005	0.045	0.510	188
RFLX-16-14	16	26/.010	.015 / .005	0.060	0.570	230
RFLX-16-16	16	26/.010	.015 / .005	0.060	0.600	256
RFLX-16-20	16	26/.010	.015 / .005	0.060	0.660	312
RFLX-16-21	16	26/.010	.015 / .005	0.060	0.670	324
RFLX-16-24	16	26/.010	.015 / .005	0.060	0.720	362
RFLX-16-30	16	26/.010	.015 / .005	0.060	0.760	436
RFLX-16-37	16	26/.010	.015 / .005	0.080	0.900	571
RFLX-18-3	18	16/.010	.015 / .005	0.045	0.290	59
RFLX-18-4	18	16/.010	.015 / .005	0.045	0.320	71
RFLX-18-6	18	16/.010	.015 / .005	0.045	0.370	91
RFLX-18-8	18	16/.010	.015 / .005	0.045	0.430	117
RFLX-18-12	18	16/.010	.015 / .005	0.045	0.470	154



Made in the USA



Marmon Electrical  
A Berkshire Hathaway Company